

CT Supralight



Avionics:
Basic
Advanced



Engines:
CTSL – 912
CTSL – 912S
CTSL – 912iS
CTSL – 914T

General information

CT Supralight cockpit option Dynon SkyView 10”



1	PS Engineering PM 3000 intercom (optional)
2	Dynon SkyView SV-D1000
3	Three pointer altimeter small (57mm), analog
4	Airspeed indicator small (57mm), analog
5	Dynon SV XPNDR 261 – Class 1 Transponder (optional)
6	Hobbs hour counter
7	GPS Garmin AERA 500 (optional)
8	Radio Garmin GTR 225 (optional)
8a	Radio Garmin GTR 225A 8,33 kHz (optional)
9	ELT 406 MHz (optional)

Key facts

- The real Ultralight aircraft
- Equipped empty weight 279,5kg onwards
- 80–hp Rotax 912, 2000 hrs. TBO
- 100–hp Rotax 912S, 2000 hrs. TBO
- **NEW! 100–hp Rotax 912iS with electric fuel injection and 2000 hrs. TBO**
- 115–hp Rotax 914T with turbo charger, turbocharge control unit and 2000 hrs. TBO
- Mission optimized avionic and equipment packages
- Capable for glider and banner towing
- 472,5kg class, with ultralight certification as by national requirements
- Design Weight 600 kg MTOW, certified weight 472,5 kg
- Airframe emergency parachute already installed
- **NEW! Single beam composite landing gear with improved damping characteristics**

Aircraft Specification

Systems

- Dual controls, conventional, three axis
- Three axis trim available
- Electronic flap control with pre-selection switch
- Airframe emergency parachute included (suitable for MTOW 472,5 kg)



Exterior

- High quality exterior finish
- Single beam composite landing gear
- Hydraulic disc brakes and qualified tires
- Steerable nose wheel
- Large baggage capacity



Interior

- Superior overview through large window areas
- Attractive interior color selection
- Wide and comfortable cabin
- Large gullwing doors
- Adjustable seats with 4-point harness
- Huge variety of cockpit options



Engine

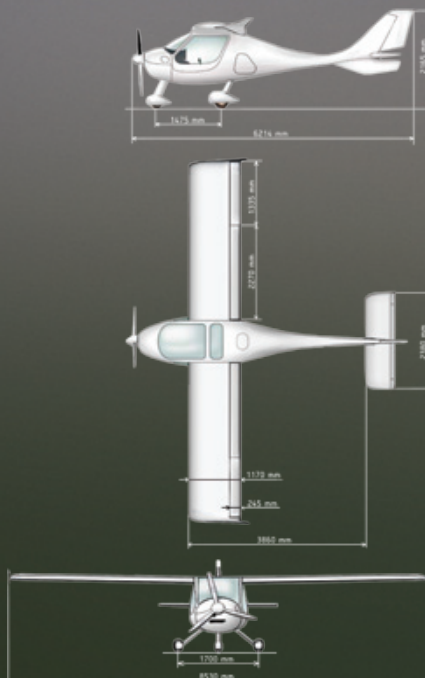
- 80-hp Rotax 912 with 2000 hrs. TBO
- 100-hp Rotax 912S with 2000 hrs. TBO
- NEW! 100-hp Rotax 912iS with 2000 hrs. TBO**
- 115-hp Rotax 914T with 2000 hrs. TBO
- Two blade ground adjustable composite propeller
- Optionally three blade up to constant speed control
- Weight optimized and rugged fuel and air intake system
- 2 wing tanks per 65 l
- Light weight and effective tank venting





Performance Data

Performance at MTOW 472,5 kg		Rotax 912
VH: maximum horizontal speed	240	km/h
VNE: maximum permissible airspeed (red line)	300*	km/h
Take-off run (flap +15 degree)	140	m
Take-off distance over 15 m obstacle	250	m
Max. range (30 min reserve)	2000	km
* The never-exceed speed (VNE) limit is defined by the capabilities of the rescue system		
Weights, Dimensions and Capacities		
Empty weight basic version (incl. rescue system)	279,5	kg
Max. take off weight	472,5	kg
Fuel capacity	130	l
Occupants: 2 x max.	120	kg
Luggage: 2 x max.	25	kg



The Information provided in this leaflet is of preliminary nature and represents the development status of the project at the date of issue. This information may be changed by Flight Design at any time without notice.